

Data Sheet

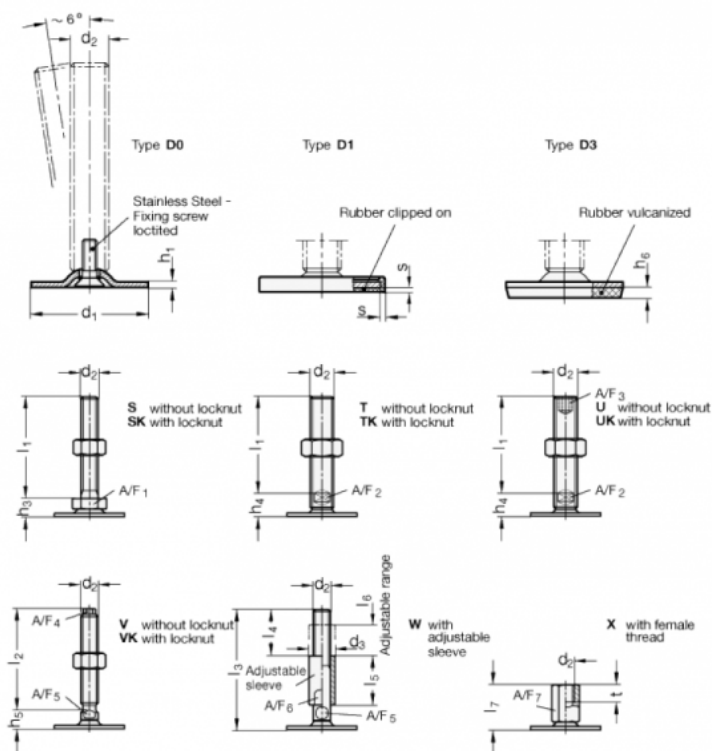


Article number: 204180M20134D1W

Description: E+G levelling foot
GN 41-80-M20-134-D1-W

Note: W With adjustable sleeve , Hygienic Version, Wrench flat at the bottom

Measures



| | |
|-----------|---------|
| A/F5 = 16 | l4 = 56 |
| A/F6 = 24 | l5 = 56 |
| d1 = 80 | l6 = 37 |
| d2 = M20 | s = 2 |
| d3 = 30 | |
| h1 = 3 | |
| h6 = | |
| l3 = 134 | |